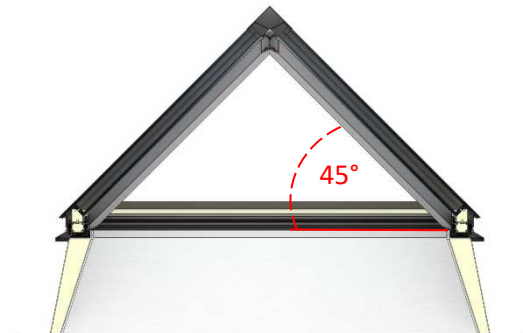


Basic Information

Glass Skylight FP 30° / 45°

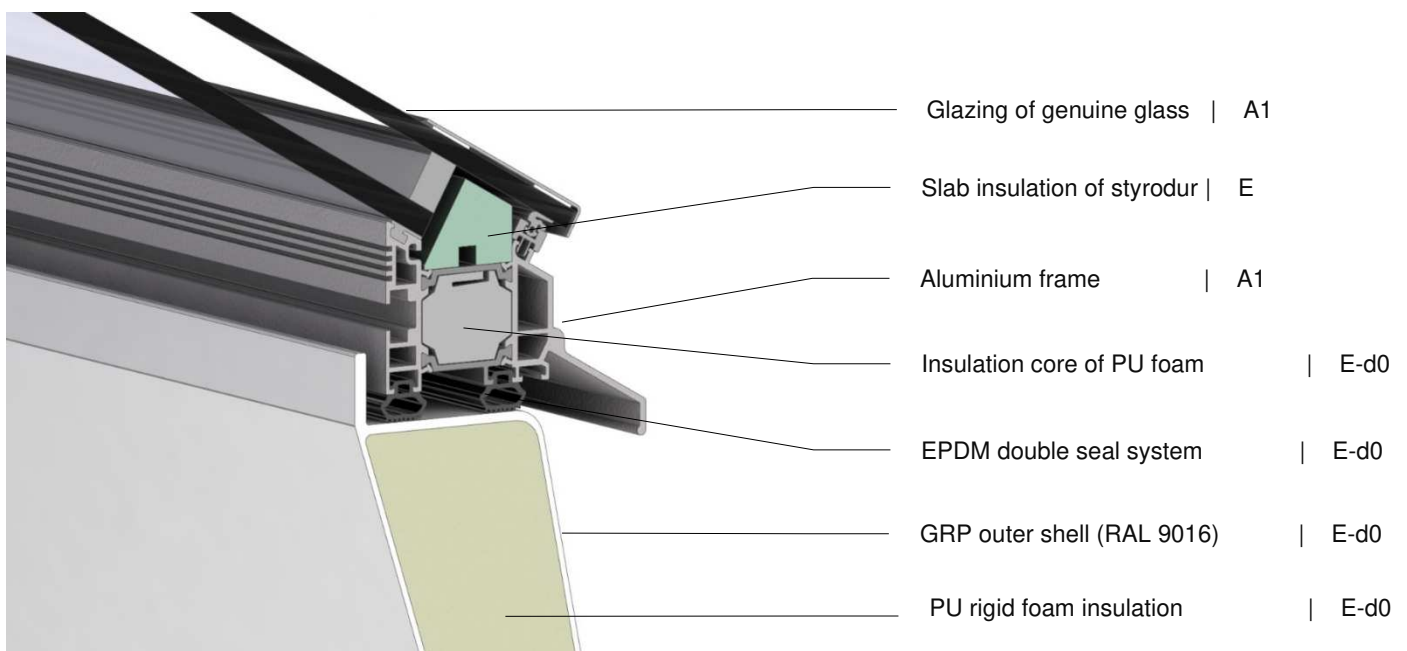


Glass Skylight FW 30° / 45°



- Delicate appearance (from inside and outside)
- High incidence of daylight
- Optimal thermal insulation
- Shading variants
- Connection possibilities / renovation options
- Smart Home (electric drive / control)

Materials and building material classes



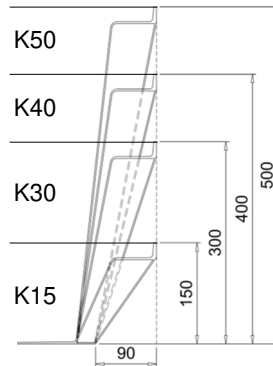
Basic Information

Lower part

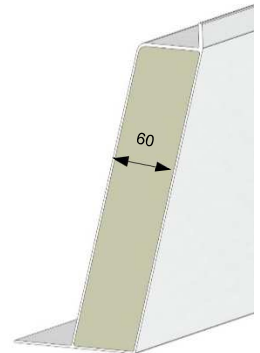
GRP frame (slanting geometry)



OKD 90/90, 90/120, 90/145, 100/100, 120/120,
150/150, 150/250 and 180/180 also available in K70.

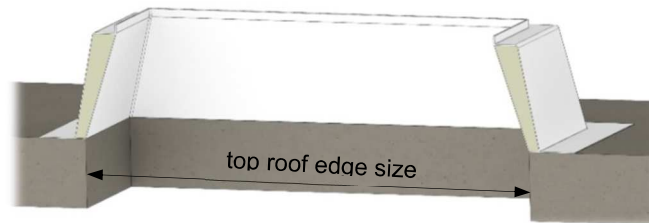


standard



optional

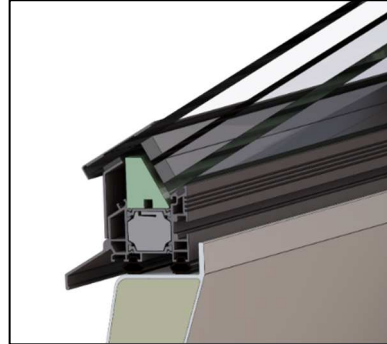
Sizes



Top roof edge size	FP / FW 30°		FP / FW 45°	
	Double glazing	Triple glazing	Double glazing	Triple glazing
50x100	•	•	•	•
50x150	•	•	•	•
60x60	•	•	•	•
60x90	•	•	•	•
60x120	•	•	•	•
70x135	•	•	•	•
80x80	•	•	•	•
80x150	•	•	•	•
90x90	•	•	•	•
90x120	•	•	•	•
90x145	•	•	•	•
100x100	•	•	•	•
100x150	•	•	•	•
100x200	•	•	•	•
100x240	•	•	•	•
100x250	•	•	•	•
100x300	•	•	•	•
120x120	•	•	•	•
120x150	•	•	•	•
120x180	•	•	•	•
120x240	•	•	•	•
120x250	•	•	•	•
120x270	•	•	•	•
125x125	•	•	•	•
125x250	•	•	•	•
150x150	•	•	•	•
150x180	•	•	•	•
150x200	•	•	•	•
150x210	•	•	•	•
150x240	•	•	•	•
150x250	•	•	•	•
180x180	•	•	•	•
200x200	•	•	•	•

Basic Information

Glazing (for all elements)



	discription	code	external glazing	SZR	middle glazing	SZR	internal glazing	light-transmission τ [%]	total energy transmittance g [%]	sound insulation value $R_{w,p}$ [dB]	heat transition U_g [W/m^2K]
double glazing	Thermal insulation glazing	W 102	6 TSG	16	-	-	8 LSG 0,76 clear	80	62	38	1,1
	Thermal insulation glazing	W 103	6 TSG	16	-	-	8 LSG 0,76 opal	54	59	38	1,1
	Thermal insulation glazing	W 106	6 TSG	16	-	-	8 LSG 0,76 clear	80	62	38	1,0
	Thermal insulation glazing	W 107	6 TSG	16	-	-	8 LSG 0,76 opal	54	59	38	1,0
	Thermal insulation glazing (BioClean)	W 111	6 TSG	16	-	-	8 LSG 0,76 clear	75	59	38	1,1
	Thermal insulation glazing (BioClean)	W 112	6 TSG	16	-	-	8 LSG 0,76 opal	49	55	38	1,1
	sun protection glazing 50/25 neutral	S 101	6 TSG	16	-	-	8 LSG 0,76 clear	52	28	38	1,1
	sun protection glazing 50/25 neutral	S 102	6 TSG	16	-	-	8 LSG 0,76 opal	36	27	38	1,1
	sun protection glazing 60/30 neutral	S 109	6 TSG	16	-	-	8 LSG 0,76 clear	60	33	38	1,0
	sun protection glazing 60/30 neutral	S 110	6 TSG	16	-	-	8 LSG 0,76 opal	40	32	38	1,0
	sun protection glazing 70/37 neutral	S 113	6 TSG	16	-	-	8 LSG 0,76 clear	68	37	38	1,0
	sun protection glazing 70/37 neutral	S 114	6 TSG	16	-	-	8 LSG 0,76 opal	46	35	38	1,0
	Sound insulation glazing 45 dB	SS11TSG	10 TSG	16	-	-	8 LSG 0,76 clear	79	55	45	1,1
	Sound insulation glazing 45 dB	SS11TSGM	10 TSG	16	-	-	8 LSG 0,76 opal	54	54	45	1,1
Isoroll	S100	6 TSG	24	-	-	8 LSG 0,76 opal	80	62	35	1,2	
triple glazing	Thermal insulation glazing	W 110	6 TSG	14	4 Float	14	8 LSG 0,76 clear	72	51	39	0,6
	Thermal insulation glazing	W 303	6 TSG	14	4 Float	14	8 LSG 0,76 opal	49	50	39	0,6
	Thermal insulation glazing (BioClean)	W 311	6 TSG	14	4 Float	14	8 LSG 0,76 clear	68	52	39	0,6
	Thermal insulation glazing (BioClean)	W 312	6 TSG	14	4 Float	14	8 LSG 0,76 opal	45	51	39	0,6
	sun protection glazing 60/30 neutral	S 117	6 TSG	14	4 Float	14	8 LSG 0,76 clear	55	30	39	0,6
	sun protection glazing 60/30 neutral	S 118	6 TSG	14	4 Float	14	8 LSG 0,76 opal	37	29	39	0,6
	sun protection glazing 50/25 neutral	S 121	6 TSG	14	4 Float	14	8 LSG 0,76 clear	45	25	39	0,6
	sun protection glazing 50/25 neutral	S 122	6 TSG	14	4 Float	14	8 LSG 0,76 opal	31	24	39	0,6
	sun protection glazing 70/37 neutral	S 125	6 TSG	14	4 Float	14	8 LSG 0,76 clear	62	34	39	0,6
	sun protection glazing 70/37 neutral	S 126	6 TSG	14	4 Float	14	8 LSG 0,76 opal	42	33	39	0,6

The stated thickness of the panes and the spaces between the panes are the standard configuration.

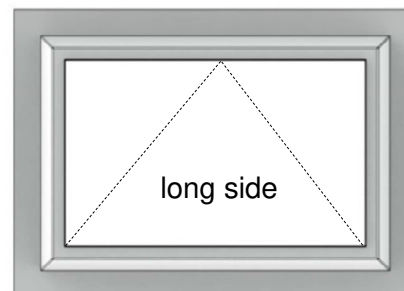
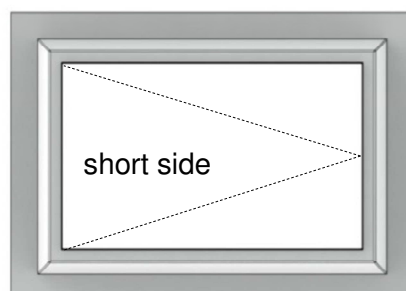
They are subject to static requirements and may vary depending on pane sizes and loads.

The specified technical values are determined in accordance with the valid regulations and standards for reference test specimens and may differ slightly in individual cases.

The spectral data can deviate by up to 5% from the stated values.

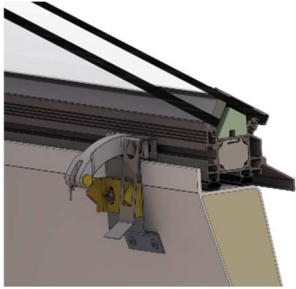
Resistance to outside flying sparks B, roof (t1) according to EN 13501-5.

Hinge Side

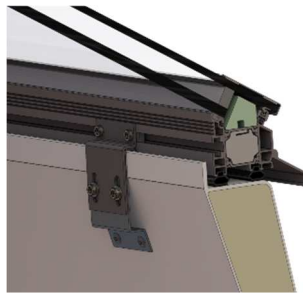


Basic Information

Locking



ventilable locked

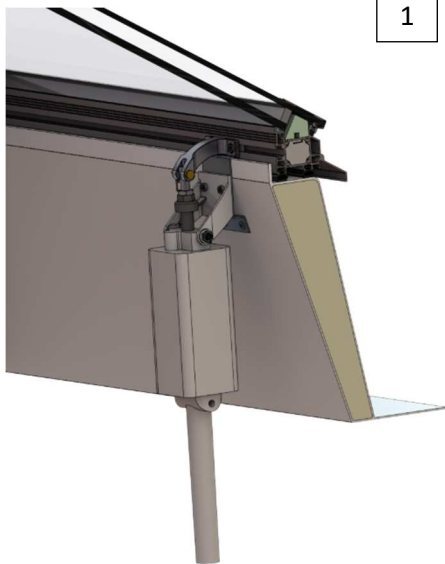


fixed with Z-sheet



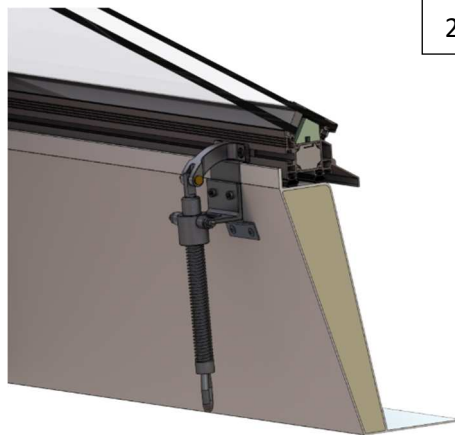
fixed with hinges on both sides

Opener



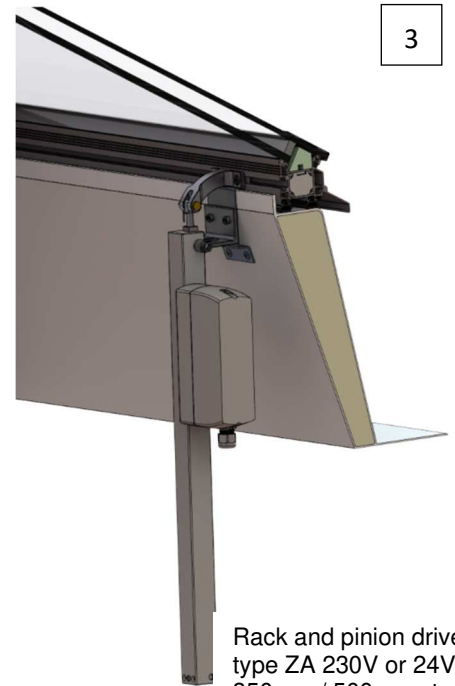
1

Spindle drive type JMBB
230V
300mm / 500mm stroke



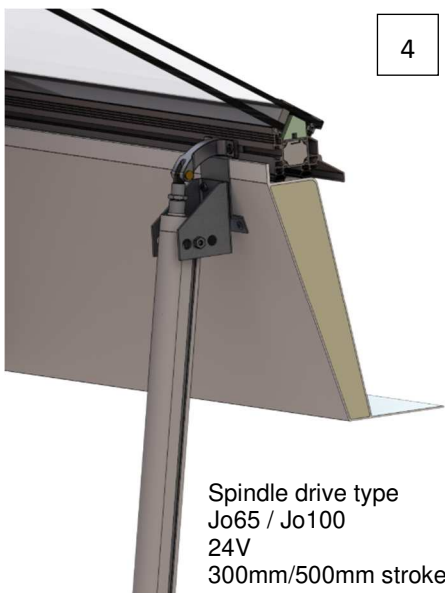
2

Hand spindle
Manual control
285mm stroke



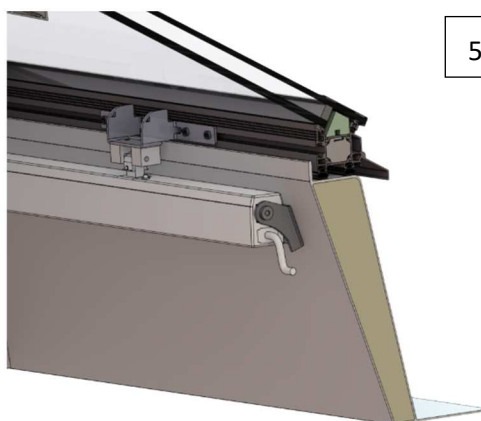
3

Rack and pinion drive
type ZA 230V or 24V
350mm / 500mm stroke



4

Spindle drive type
Jo65 / Jo100
24V
300mm/500mm stroke



5

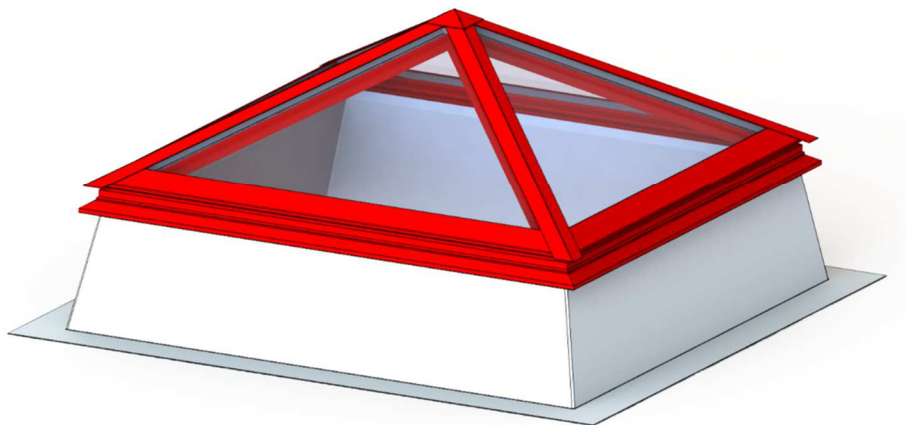
Chain drive
230V or 24V
250mm/300mm/500mm/600mm stroke

6

Basic Information

Optional:

Coating:



Standard colour RAL 9016 traffic white

The aluminium parts can be coated optionally with all RAL colours

Lighting:



LAMILUX REFLECTIVE

- Increase of the light transmission of the daylight system up to 50% thanks to the protected principle of lining with highly reflecting aluminium reflector material
- Up to 33% saving for artificial light energy
- Interior look of high quality due to precious surfaces

LAMILUX PRISM LED

- Outstanding design with very narrow LED light strips
- Flicker-free light dimming
- Extremely low heat generation of the artificial light
- Very low energy consumption

LAMILUX LED strips – mounted on the upper point of the upstand

LAMILUX REFLECTIVE – coating on the inside of the upstand